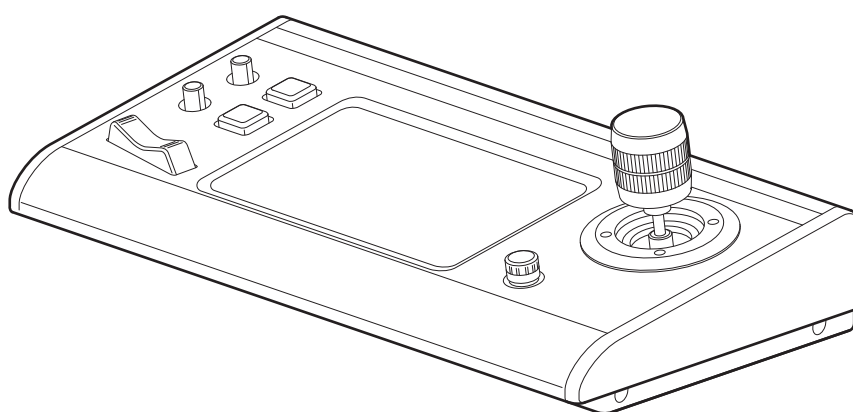




## REMOTE CAMERA CONTROLLER

# RM-LP100U/RM-LP100E

## INSTRUCTIONS (BASIC)



Specifications and appearance of this unit are subject to change for further improvement without prior notice.

### Details

For details on settings and operation, refer to “INSTRUCTIONS” on the website.  
Please check the latest INSTRUCTIONS, tools, etc. from the URL below.

North America:

<http://pro.jvc.com/prof/main.jsp>

Europe:

<http://www.service.jvcpro.eu/public/>

China:

<http://www.jvc.com.cn/service/download/index.html>

#### For Customer Use:

Enter below the Serial No. which is located on the body.  
Retain this information for future reference.

Model No. RM-LP100U

Serial No. \_\_\_\_\_

#### Please read the following before getting started:

Thank you for purchasing this JVC product.  
Before operating this unit, please read the instructions carefully to ensure the best possible performance.

In this manual, each model number is described without the last letter (U/E) which means the shipping destination.

(U: for USA and Canada, E: for Europe)  
Only “U” models (RM-LP100U) have been evaluated by UL.

# Safety Precautions

## Cautions



The lightning flash with arrowhead symbol, within an equilateral triangle, is intended to alert the user to the presence of uninsulated "dangerous voltage" within the product's enclosure that may be of sufficient magnitude to constitute a risk of electric shock to persons.



The exclamation point within an equilateral triangle is intended to alert the user to the presence of important operating and maintenance (servicing) instructions in the literature accompanying the appliance.

**CAN ICES-3 A / NMB-3 A**

### CAUTION:

A UNIT IS A CLASS 1 LASER PRODUCT. HOWEVER THIS UNIT USES A VISIBLE LASER BEAM WHICH COULD CAUSE HAZARDOUS RADIATION EXPOSURE IF DIRECTED. BE SURE TO OPERATE THE UNIT CORRECTLY AS INSTRUCTED.

WHEN THIS UNIT IS PLUGGED INTO THE WALL OUTLET, DO NOT PLACE YOUR EYES CLOSE TO THE OPENING OF THE DISC TRAY AND OTHER OPENINGS TO LOOK INTO THE INSIDE OF THIS UNIT.

USE OF CONTROLS OR ADJUSTMENTS OR PERFORMANCE OF PROCEDURES OTHER THAN THOSE SPECIFIED HEREIN MAY RESULT IN HAZARDOUS RADIATION EXPOSURE.

DO NOT OPEN COVERS AND DO NOT REPAIR YOURSELF. REFER SERVICING TO QUALIFIED PERSONNEL.

### MISE EN GARDE:

CET APPAREIL EST UN PRODUIT LASER DE CLASSE 1. CEPENDANT, CET APPAREIL UTILISE UN FAISCEAU LASER VISIBLE QUI PEUT ENTRAÎNER UNE EXPOSITION DANGEREUSE AUX RAYONNEMENTS. S'ASSURER DE FAIRE FONCTIONNER L'APPAREIL CORRECTEMENT, EN RESPECTANT LES INSTRUCTIONS.

LORSQUE CET APPAREIL EST BRANCHÉ À UNE PRISE MURALE, NE PAS PLACER SES YEUX PRÈS DE L'OUVERTURE DU TIROIR POUR DISQUE OU D'AUTRES OUVERTURES DANS LE BUT D'OBSERVER L'INTÉRIEUR DE L'APPAREIL.

L'UTILISATION DES COMMANDES, RÉGLAGES OU PROCÉDURES DE PERFORMANCE AUTRE QUE CELLE SPÉCIFIÉE DANS CE DOCUMENT RISQUE D'ENTRAÎNER UNE EXPOSITION DANGEREUSE AUX RAYONNEMENTS.

L'UTILISATEUR NE DOIT PAS OUVRIR NI RÉPARER L'APPAREIL DE LUI-MÊME. FAIRE APPEL À UN PERSONNEL QUALIFIÉ POUR L'ENTRETIEN.

### WARNING:

**TO PREVENT FIRE OR SHOCK HAZARD, DO NOT EXPOSE THIS UNIT TO RAIN OR MOISTURE.**

### CAUTION:

This unit should be used with AC 120V $\sim$ , 60Hz. To prevent electric shocks and fire hazards, DO NOT use any other power source.

### CAUTION:

**TO PREVENT ELECTRIC SHOCK, MATCH WIDE BLADE OF PLUG TO WIDE SLOT, FULLY INSERT.**

### ATTENTION:

**POUR ÉVITER LES CHOC ÉLECTRIQUES, INTRODUIRE LA LAME LA PLUS LARGE DE LA FICHE DANS LA BORNE CORRESPONDANTE DE LA PRISE ET POUSSER JUSQU'AU FOND.**

### Note to CATV system installer:

This reminder is provided to call the CATV system installer's attention to Article 820-40 of the NEC that provides guidelines for proper grounding and, in particular, specifies that the cable ground shall be connected to the grounding system of the building, as close to the point of cable entry as practical.

"WARNING" and the following or equivalent. "To reduce the risk of fire or electric shock, do not expose this apparatus to rain or moisture."

"ATTENTION" et suivant ou équivalent. "Pour limiter les risques d'incendie ou d'électrocution, n'exposez pas cet appareil à la pluie ou à l'humidité."

A warning that an apparatus with CLASS I construction shall be connected to a MAINS socket outlet with protective earthing connection.

Avertissement: un appareil de CLASSE I doit être branché à une prise SECTEUR comprenant une mise à la terre de protection.

### WARNING

Batteries shall not be exposed to excessive heat such as sunshine, fire or the like.

When the main plug or appliance coupler shall remain readily operable.

## IMPORTANT SAFETY INSTRUCTIONS

- 1) Read these instructions.
- 2) Keep these instructions.
- 3) Heed all warnings.
- 4) Follow all instructions.
- 5) Do not use this apparatus near water.
- 6) Clean only with dry cloth.
- 7) Do not block any ventilation openings. Install in accordance with the manufacturer's instructions.
- 8) Do not install near any heat sources such as radiators, heat registers, stoves, or other apparatus (including amplifiers) that produce heat.
- 9) Do not defeat the safety purpose of the polarized or grounding-type plug. A polarized plug has two blades with one wider than the other. A grounding type plug has two blades and a third grounding prong. The wide blade or the third prong are provided for your safety. If the provided plug does not fit into your outlet, consult an electrician for replacement of the obsolete outlet.
- 10) Protect the power cord from being walked on or pinched particularly at plugs, convenience receptacles, and the point where they exit from the apparatus.
- 11) Only use attachments/accessories specified by the manufacturer.
- 12) Use only with the cart, stand, tripod, bracket, or table specified by the manufacturer, or sold with the apparatus. When a cart is used, use caution when moving the cart/apparatus combination to avoid injury from tip-over.
- 13) Unplug this apparatus during lightning storms or when unused for long periods of time.
- 14) Refer all servicing to qualified service personnel. Servicing is required when the apparatus has been damaged in any way, such as power-supply cord or plug is damaged, liquid has been spilled or objects have fallen into the apparatus, the apparatus has been exposed to rain or moisture, does not operate normally, or has been dropped.



### Failure to heed the following precautions may result in damage to the unit, remote control or disc/cassette.

1. **DO NOT place the unit—**
  - in an environment prone to extreme temperatures or humidity.
  - in direct sunlight.
  - in a dusty environment.
  - in an environment where strong magnetic fields are generated.
  - on a surface that is unstable or subject to vibration.
2. **DO NOT block the unit's ventilation openings or holes.**  
(If the ventilation openings or holes are blocked by a newspaper or cloth, etc., the heat may not be able to get out.)
3. **DO NOT place heavy objects on the unit or remote control.**
4. **DO NOT place anything which might spill on top of the unit or remote control.**  
(If water or liquid is allowed to enter this equipment, fire or electric shock may be caused.)
5. **DO NOT expose the apparatus to dripping or splashing.**
6. **DO NOT use this equipment in a bathroom or places with water.** Also **DO NOT** place any containers filled with water or liquids (such as cosmetics or medicines, flower vases, potted plants, cups, etc.) on top of this unit.
7. **DO NOT place any naked flame sources, such as lighted candles, on the apparatus.**
8. **AVOID violent shocks to the unit during transport.**

### CAUTION:

Changes or modifications not approved by JVC could void user's authority to operate the equipment.

### Declaration of Conformity

Model Number: RM-LP100U  
 Trade Name: JVC  
 Responsible Party: JVCKENWOOD USA Corporation  
 Address: 1700 Valley Road Wayne, N.J. 07470  
 Telephone Number: 973-317-5000  
 This device complies with Part 15 of FCC Rules.  
 Operation is subject to the following two conditions:

(1) This device may not cause harmful interference, and (2) this device must accept any interference received, including interference that may cause undesired operation.

"This equipment has been tested and found to comply with the limits for a Class A digital device, pursuant to Part 15 of the FCC Rules. These limits are designed to provide reasonable protection against harmful interference when the equipment is operated in a commercial environment. This equipment generates, uses, and can radiate radio frequency energy and, if not installed and used in accordance with the instruction manual, may cause harmful interference to radio communications. Operation of this equipment in a residential area is likely to cause harmful interference in which case the user will be required to correct the interference at his own expense."

When the equipment is installed in a cabinet or a shelf, make sure that it has sufficient space on all sides to allow for ventilation (10cm or more on both sides, on top and at the rear).

When discarding batteries, environmental problems must be considered and the local rules or laws governing the disposal of these batteries must be followed strictly.

Use the supplied power cord.

(If not, fire or electric shock may be caused.)

DON'T continue to operate the equipment if you are in any doubt about it working normally, or if it is damaged in any way/switch off, withdraw the mains plug and consult your dealer.

DO be careful with glass panels or doors on equipment.

DO consult you dealer if you are ever in doubt about the installation, operation or safety of your equipment.

NEVER let anyone especially children push anything into holes, slots or any other opening in the case—this could result in a fatal electrical shock.

### MOISTURE CONDENSATION

Moisture in the air will condense on the unit when you move it from a cold place to a warm place, or under extremely humid conditions—just as water droplets form on the surface of a glass filled with cold liquid. In conditions where condensation may occur, disconnect the unit's power plug from the wall and keep it disconnected for a few hours to let the moisture dry, then turn on the unit.


**Batteries**—Incorrect use of batteries may cause the batteries to burst or ignite. A leaky battery may corrode the equipment, dirty your hands or spoil your clothing. In order to avoid these problems, make sure to observe the precautions below:

- Use the specified batteries only.
- Install the batteries with due attention to the plus (+) and minus (-) sides of the batteries according to the instructions in the compartment.
- Do not mix old and new batteries.
- Do not mix batteries of different types. Voltage specifications of batteries of the same shape may vary.
- Replace an exhausted battery with a new one promptly.
- If you will not use the remote control for a long time, remove the batteries.
- If leaked battery fluid gets on your skin or clothing, rinse immediately and thoroughly. If it gets into your eye, bathe your eye well rather than rubbing and seek medical treatment immediately. Leaked battery fluid that gets into your eye or your clothing may cause a skin irritation or damage your eye.
- Do not put the batteries in a place where young children can reach.



If this symbol is shown, it is only valid in the European Union.



#### HOW TO USE THIS INSTRUCTION MANUAL

- All major sections and subsections are listed in the Table Of Contents on page 5. Use this when searching for information on a specific procedure or feature.
- The  mark signals a reference to another page for instructions or related information.
- Operation buttons necessary for the various procedures are clearly indicated through the use of illustrations at the beginning of each major section.

#### DISCLAIMER OF LIABILITY

JVC shall not be liable for any loss relating to the unit's failure to properly record, store or playback any content (video, audio or otherwise) for any reason whatsoever. Any applicable warranties shall only cover replacement or repair of the effected unit, and shall not apply to recovery or replacement of lost content.

#### ATTENTION:

- Using a mobile phone in the vicinity of the unit may cause picture vibration on the TV screen or change the screen to a black back display.
- Some TVs or other appliances generate strong magnetic fields. Do not place such appliances on top of the unit as it may cause picture disturbance.
- When moving the product, press  /  to turn off the power, and wait at least 30 seconds before unplugging the power cord. Then, wait at least 2 minutes before moving the product.
- If there is a power outage when using the unit, the recorded data may be erased.
- It is recommended to back up discs which contain important recordings periodically (every few years). As digital signals do not deteriorate, failure to play back or record might arise due to the effects of the disc aging through the years depending on the storage environment.
- Recorded programs and data cannot be restored once the disc or tape is damaged.

The rating plate and the safety caution are on the rear of the unit.

**WARNING : DANGEROUS VOLTAGE INSIDE**  
**WARNING : TO PREVENT FIRE OR SHOCK HAZARD,**  
**DO NOT EXPOSE THIS UNIT TO RAIN OR**  
**MOISTURE.**

**Dear Customer, [European Union]**

This apparatus is in conformance with the valid European directives and standards regarding electromagnetic compatibility and electrical safety.

European representative of JVC KENWOOD Corporation is:  
 JVC Technical Services Europe GmbH  
 Konrad-Adenauer-Allee 1-11  
 61118 Bad Vilbel  
 GERMANY

**Sehr geehrter Kunde, [Europäische Union]**  
**sehr geehrte Kundin,**

dieses Gerät stimmt mit den gültigen europäischen Richtlinien und Normen bezüglich elektromagnetischer Verträglichkeit und elektrischer Sicherheit überein.

Die europäische Vertretung für die  
 JVC KENWOOD Corporation ist:  
 JVC Technical Services Europe GmbH  
 Konrad-Adenauer-Allee 1-11  
 61118 Bad Vilbel  
 DEUTSCHLAND

**WARNING**

This is a Class A product. In a domestic environment this product may cause radio interference in which case the user may be required to take adequate measures.

**IMPORTANT:**

- Please read the various precautions on pages 5 to 6 before installing or operating the unit.
- It should be noted that it may be unlawful to re-record pre-recorded tapes, DVDs, or discs without the consent of the owner of copyright in the sound or video recording, broadcast or cable programme and in any literary, dramatic, musical, or artistic work embodied therein.

**CAUTION:**

- When you are not using the unit for a long period of time, it is recommended that you disconnect the power cord from the mains outlet.
- Dangerous voltage inside. Refer internal servicing to qualified service personnel. To prevent electric shock or fire hazard, remove the power cord from the mains outlet prior to connecting or disconnecting any signal lead or aerial.
- The mains plug shall remain readily operable.

The STANDBY/ON  $\text{⏻}$ /I button does not completely shut off mains power from the unit, but switches operating current on and off. “ $\text{⏻}$ ” shows electrical power standby and “I” shows ON.

A warning that an apparatus with CLASS I construction shall be connected to a MAINS socket outlet with protective earthing connection.

**Main Plug**

The Main Plug is used as the disconnect device, the disconnect device shall remain readily operable

Even if the display window of the unit is unlit, the main power supply is not cut off unless the power cord is unplugged.

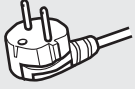
The main power supply for this unit is controlled by inserting or removing the power plug.

**POWER CONNECTION**

The power supply voltage rating of this product is AC 220 – 240 V (For European countries, Asian countries, and United Kingdom).

The power cord attached conforms to the following power supply voltage and countries. Use only the power cord designated to ensure safety and EMC regulations of each country.

For European and Asian countries: AC 220 – 240 V



For United Kingdom: AC 220 – 240 V



This plug will fit only into a grounded power outlet. If you are unable to insert the plug into the outlet, contact your electrician to install the proper outlet. Do not defeat the safety purpose of the grounded plug.

- This product should be operated only with the type of power source indicated on the label. If you are not sure of the type of power supply of your home, consult your product dealer or local electric power company.

**Warning:**

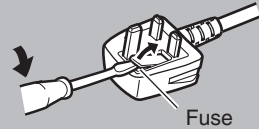
- Do not use the same power cord for AC 120 V as for AC 220 – 240 V. Doing so may cause malfunction, electric shock or fire.

**Note for United Kingdom power cord only**

The plug of United Kingdom power cord has a built-in fuse. When replacing the fuse, be sure to use only a correctly rated approved type, re-fit the fuse cover. (Consult your dealer or qualified personnel.)

**How to replace the fuse**

Open the fuse compartment with the blade screwdriver, and replace the fuse.



**This equipment has been designed and manufactured to meet international safety standards but, like any electrical equipment, care must be taken if you are to obtain the best results and safety is to be assured.**

- DO read the operating instructions before you attempt to use the equipment.
- DO ensure that all electrical connections (including the mains plug, extension leads and interconnections between pieces of equipment) are properly made and in accordance with the manufacturer's instructions. Switch off and withdraw the mains plug when making or changing connections.
- DO consult your dealer if you are ever in doubt about the installation, operation or safety of your equipment.
- DO be careful with glass panels or doors on equipment.
- DON'T continue to operate the equipment if you are in any doubt about it working normally, or if it is damaged in any way—switch off, withdraw the mains plug and consult your dealer.
- DON'T remove any fixed cover as this may expose dangerous voltages.
- DON'T leave equipment switched on when it is unattended unless it is specifically stated that it is designed for unattended operation or has a standby mode. Switch off using the switch on the equipment and make sure that your family knows how to do this. Special arrangements may need to be made for infirm or handicapped people.
- DON'T use equipment such as personal stereos or radios so that you are distracted from the requirements of road safety. It is illegal to watch television whilst driving.
- DON'T listen to headphones at high volume, as such use can permanently damage your hearing.
- DON'T obstruct the ventilation of the equipment, for example with curtains or soft furnishings. Overheating will cause damage and shorten the life of the equipment.
- DON'T use make shift stands and NEVER fix legs with wood screws—to ensure complete safety always fit the manufacturer's approved stand or legs with the fixings provided according to the instructions.
- DON'T allow electrical equipment to be exposed to rain or moisture.

**ABOVE ALL...**

- NEVER let anyone especially children push anything into holes, slots or any other opening in the case—this could result in a fatal electrical shock;
- NEVER guess or take chances with electrical equipment of any kind—it is better to be safe than sorry!

**Importer (EU only)**

JVCKENWOOD U.K. Limited  
12 Priestley Way, London NW2 7BA,  
UNITED KINGDOM

**Importeur (Nur EU)**

JVCKENWOOD Deutschland GmbH  
Konrad-Adenauer-Allee 1-11, 61118 Bad Vilbel,  
DEUTSCHLAND

**Importateur (EU uniquement)**

JVCKENWOOD France S.A.S.  
7 Allee des Barbanniers, CS20034  
92632 Gennevilliers Cédex, FRANCE

**Importatore (Solo EU)**

JVCKENWOOD Italia S.p.A.  
Via G. Sirtori 7/9, 20129 Milano, ITALIA

**Importador (Solamente EU)**

JVCKENWOOD Ibérica S.A.  
Ctra. Rubi, 88 Edificio Can Castanyer,  
08174 Sant Cugat del Valles, Barcelona,  
ESPAÑA

**Importeur (Alleen EU)**

JVCKENWOOD Belgium N.V.  
Leuvensesteenweg 248J, 1800 Vilvoorde,  
BELGIQUE

**Importeur (Alleen EU)**

JVCKENWOOD Nederland B.V.  
Amsterdamseweg 37, 1422 AC Uithoorn,  
NEDERLAND

**Manufacturer**

JVCKENWOOD Corporation  
3-12, Moriya-cho, Kanagawa-ku, Yokohama-shi,  
Kanagawa, 221-0022, JAPAN

## 关于环保使用期限



环保使用期限

- 此图标表示了中华人民共和国的法律所规定的环保使用期限。只要用户在使用本产品时遵守注意事项中的各项规定，从制造日期开始到此图标标出的期限为止（环保使用期限）既不会污染环境也不会产生对人体有害的物质。
- 附件和消耗性零件的环保使用期限如下所示：  
（不同产品中包含的附件和消耗性零件也不相同。）  
遥控器、交流转换器、电缆类：10年

## 关于产品中的有害物质

部件名称	有害物质					
	铅 (Pb)	汞 (Hg)	镉 (Cd)	六价铬 (Cr(VI))	多溴联苯 (PBB)	多溴二苯醚 (PBDE)
线路板组件	×	○	○	×	○	○
机箱	×	○	○	×	○	○
液晶显示屏模块	×	○	○	×	○	○
交流转换器	×	○	○	×	○	○
其他附件	×	○	○	×	○	○

本表格依据 SJ/T11364 的规定编制。

○：表示该有害物质在该部件所有均质材料中的含量均在 GB/T26572 规定的限量要求以下。

×：表示该有害物质至少在该部件的某一均质材料中的含量超出 GB/T26572规定的限量要求。

For RM-LP100E  
GB4943.1-2011  
GB9254-2008  
GB17625.1-2012



# Contents

## Getting Started

Safety Precautions .....	2
Contents .....	8
Precautions .....	8
Name of Parts .....	9
Basic Operations .....	9

## Others

Troubleshooting .....	10
Connection Diagram .....	10
Specifications .....	11

## Content of this manual

### Symbols used

**Caution** : Describes precautions concerning the operation of this product.

**Memo** : Describes reference information, such as functions and usage restrictions of this product.

### Content of this manual

- All rights reserved by JVC KENWOOD Corporation. Unauthorized duplication or reprinting of this manual, in whole or in part, is strictly prohibited.
- Illustrated designs, specifications and other contents of this manual are subject to change for improvement without prior notice.
- Other product and company names included in this instruction manual are trademarks and/or registered trademarks of their respective companies. Marks such as <sup>TM</sup> and © have been omitted in this manual.

# Precautions

## Storage and Usage Locations

**Avoid using or placing this unit in the following places.**

**It might result in malfunctions or failure.**

- Hot or cold places that are beyond the allowable operating temperature range (0 °C to 40 °C).
- Locations beyond or below the allowable operating humidity range of 20 %RH to 90 %RH. (Condensation is not allowed)
- Near equipment that emits strong magnetic fields, such as transformers or motors.
- Near equipment that emits radio waves, such as transceivers and mobile phones.
- Locations with excessive dust and sand.
- Locations prone to moisture such as window side.
- Locations that are subjected to radiation, X-rays, salt attack or corrosive gases.
- Places subject to smoke or vapor such as near a cooking stove
- Places subject to strong vibrations or unstable surfaces

**In a parked car under direct sunlight or near a heater for long hours**

**Protect this unit against penetration of dust when using it in a place subject to sandy dust.**

## Handling Precautions

**Do not rub against or press the surface of the touch panel with a knife or a sharp object.**

**Do not apply excessive force to this unit; do not lift this unit while holding the control lever.**

## Maintenance

**Turn off the power before performing any maintenance.**

**Wipe using a soft cloth. Wiping with thinner or benzene may melt or tarnish its surface. For tough stains, wipe using a cloth that is dipped into a neutral detergent diluted with water, followed by wiping with a dry cloth.**

## Cautions on Installing this Unit on a Desktop

**Install this unit such that it does not fall from the desktop due to vibrations.**

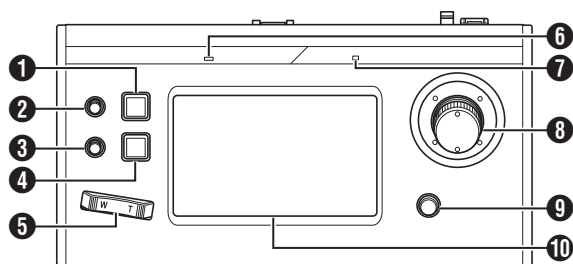
## Energy Saving

**When this unit is not in use, set the Power switch to “OFF” to reduce power consumption.**



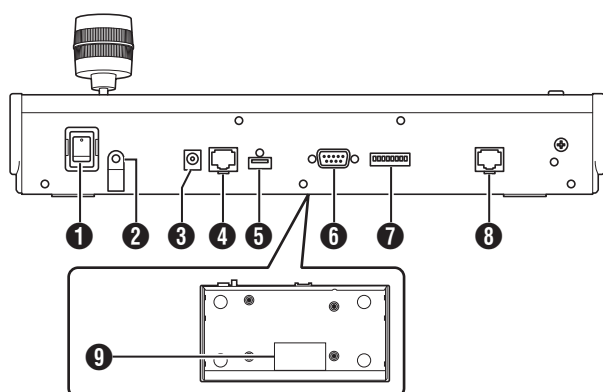
# Name of Parts

## Front panel



- ① **USER1 button**  
For switching the settings menu.
- ② **F1 knob**  
Used for the multi-function settings.
- ③ **F2 knob**  
Used for the multi-function settings.
- ④ **USER2 button**  
For switching the settings menu.
- ⑤ **Zoom lever**  
For performing the zoom operation of the remote camera.
- ⑥ **ALARM lamp**  
Red : Lights up when the alarm is activated.
- ⑦ **POWER lamp**  
Green : Lights up while the power is on.
- ⑧ **Control lever (F3)**
  - For operating pan/tilt of the remote camera.
  - Used for the multi-function settings.
- ⑨ **Focus knob/Push auto button**
  - For performing the focus operation of the remote camera.
  - Used for the one-push auto focus function.
- ⑩ **Operation panel**  
Used as a touch panel.

## Rear panel



- ① **Power switch**  
For turning the power on or off.
- ② **Cable clamp**  
For preventing the AC adapter cable from falling out.
- ③ **DC 12V terminal**  
For connecting the supplied AC adapter.

- ④ **LAN terminal**  
For connecting a LAN cable.
- ⑤ **SERVICE terminal**  
For use during servicing.
- ⑥ **TALLY terminal**  
Used for TALLY connection.
- ⑦ **SETTING switch**
  - 1 to 4 : For switching TALLY IN and OUT.
  - 5 to 8 : Used for servicing only.
- ⑧ **SERIAL terminal**  
Not used.
- ⑨ **Rating label**

## Basic Operations

For details, refer to the instruction manual.

- 1 **Turn on the power.**
    - Set the power switch at the rear of this unit to "On". The LED lamp lights up in green.
  - 2 **Configure the settings of this unit.**
    - Set the IP address of this unit as follows.
      - ① Select [SETTINGS] on the top screen of the control panel.
        - If the top screen doesn't appear, select [HOME].
      - ② Select [Network].
      - ③ Select [CONTROLLER].
        - The IP address setting screen appears.
      - ④ Enter the IP address and press [ENTER].
  - 3 **Configure the camera setting.**
    - Set the camera to be operated as follows.
      - ① Select [SETTINGS] on the top screen of the control panel.
        - If the top screen doesn't appear, select [HOME].
      - ② Select [Network].
      - ③ Select [CAMERA REGISTRATION].
      - ④ Select [AUTO] to register the camera.

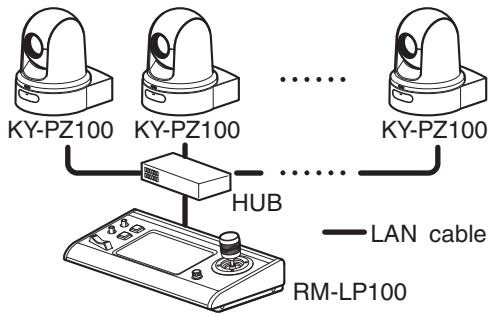
Memo : \_\_\_\_\_

      - For details on the [MANUAL] settings, please refer to the "INSTRUCTIONS" on the website.
- To change the camera to be operated, perform the above operations again.

# Troubleshooting

Problem	Symptom	Action
Power does not turn on.	No response after pressing the control panel on the unit.	Turn off the power switch at the back of the unit and power on again. If it still does not start up, stop using the unit, disconnect the power cord from the power outlet and consult a dealer or our service center.

## Connection Diagram



\* Up to 100 cameras can be connected concurrently.

# Specifications

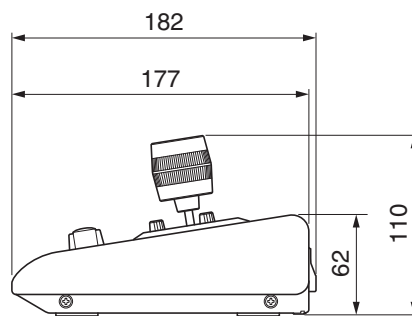
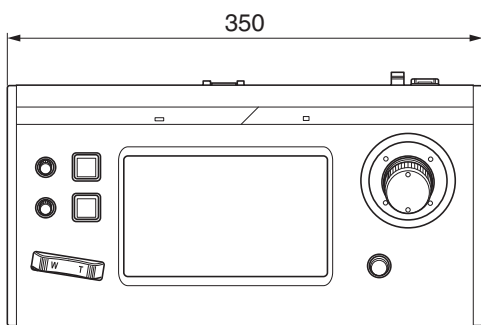
## General

Item	Description
Power	DC 12 V
Current consumption	0.6 A
Mass	Approx. 2.1 kg
Surrounding temperature	0 °C to 40 °C (operation)
Allowable operating humidity	20 %RH to 90 %RH (No condensation)

## Terminal Section

Item	Description
TALLY terminal	D-sub 9-pin
LAN terminal	10BASE-T/100BASE-TX
[DC] terminal	DC jack (for the supplied AC adapter)

## Dimensional Outline Drawing (Unit: mm)



\* The specifications and appearance of this product are subject to changes for further improvement without prior notice.

## Accessories

Accessories	
Warranty Card (U model only)	1
INSTRUCTIONS (BASIC)	1
AC Adapter	1
Power Cord (U model: 1, E model: 2)	
Wire Clamp	1
Screw (M3)	1

RM-LP100U/RM-LP100E  
REMOTE CAMERA CONTROLLER

**JVC**