

JVC Additional Information

Presetting the Time Code from the LCD Screen

The time code can be preset directly from the LCD screen without opening the TC/UB/CLOCK menu screen.

CAUTION

PRESET mode is not available in the following.

- TC GENE. switch is set to REGEN.
- TC DUPLI. item in the TC/UB/CLOCK menu screen is set to ON.
- Menu screen is displayed.
- RECORDING mode is active.
- Switching to CAM/VTR mode (When VTR indicator is blinking).

Setting

■ TC/UB/CLOCK menu screen

- Set framing of the time code generator in DROP FRAME. (When set to FRAME RATE 60/30)
- Set to enable/disable user's bit recording in UB REC. (When set to FRAME RATE 50/25)

■ Set the TC GENE switch to REC or FREE.

MEMO

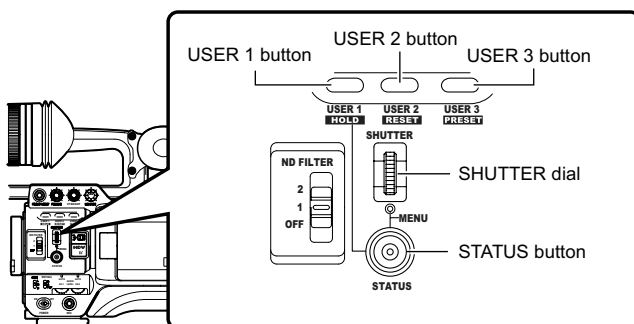
See pages 40 – 41 for details on the above settings.

■ Set the TC DISPLAY switch.

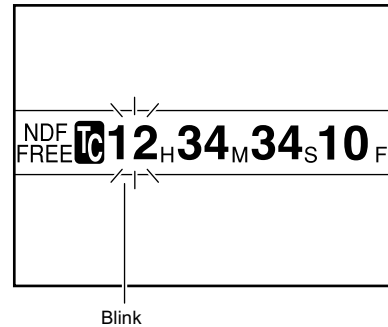
- Set to TC to preset time code and UB to preset user's bit.

Operation

This section describes presetting of the time code.



- 1.** In Standby or Stop mode, press the USER1 button for about 2 seconds while holding down the STATUS button.
 - The current time code generator data is displayed in enlarged display mode on the LCD screen. The hour digit starts blinking.



- 2.** Press the USER2 button to reset all data.
 - Data becomes "00:00:00:00" and the hour digit starts blinking.
- 3.** Set the time code (hour, minute, second and frame). The blinking digit can be set.
 - 1** Turn the SHUTTER dial to change the value of the blinking digit. Turn the SHUTTER dial up to increase the value and down to decrease the value.
 - 2** Press the SHUTTER dial to change the blinking digit.
 - 3** Repeat steps **1** and **2** and continue setting for each row.
- 4.** Press the USER3 button to confirm the setting data.
 - The LCD screen returns to the original screen.

Presetting User's Bit

You can specify the user's bit with a number or character between 0 – F.

CAUTION

All digits of user's bit cannot be set to F. If all digits are set to F and read, user's bit is deemed as undefined during playback.

Aborting Preset Operation

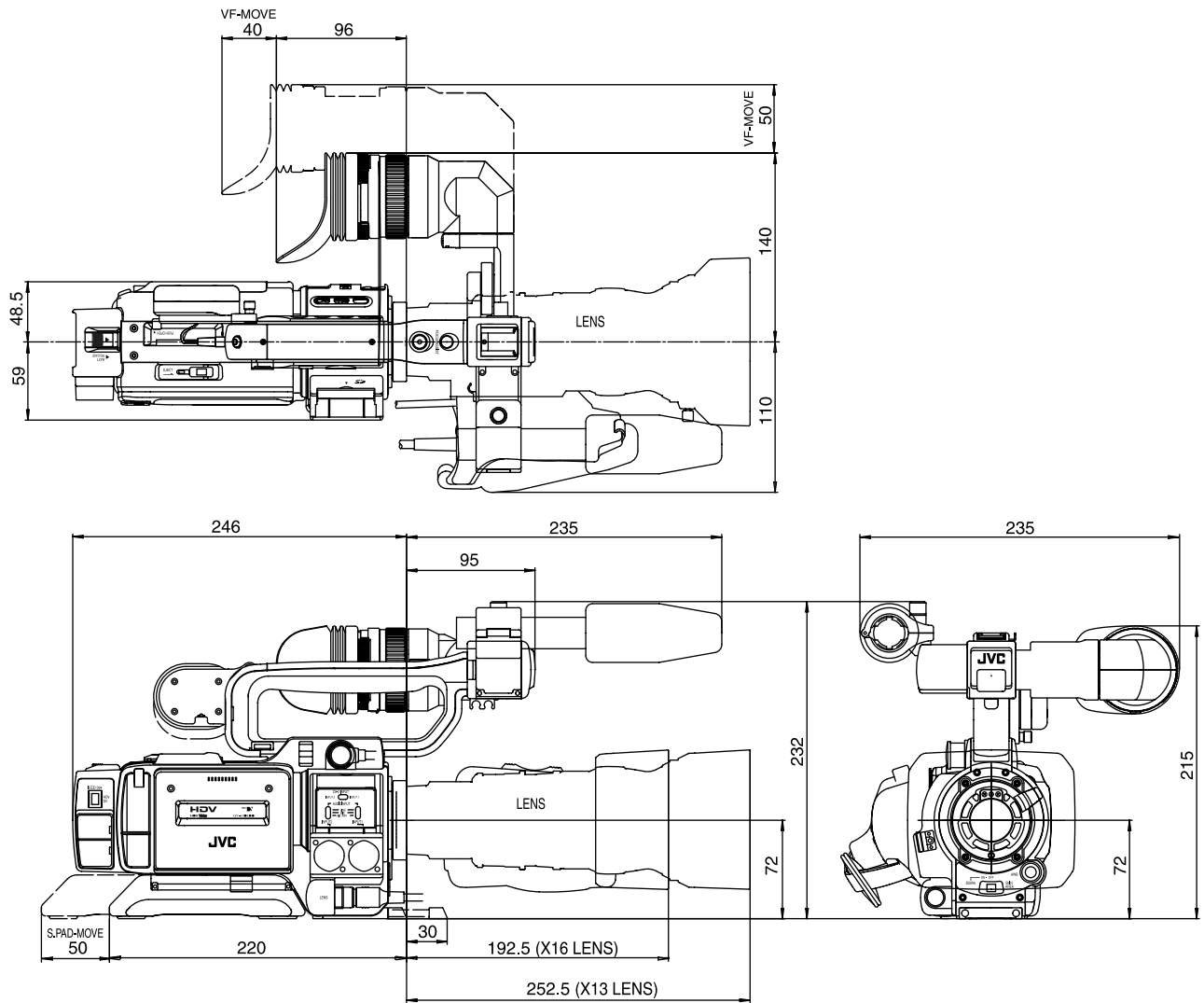
While presetting, press the USER1 button while holding down the STATUS button.

- Preset operation stops and the LCD screen returns to the original screen.

CAUTION

- Preset operation is terminated in the following.
 - TC DISPLAY switch is changed
 - CAM/VTR mode switch is changed
 - VTR operations are performed
- USER1, USER2, and USER3 presetting in the SWITCH MODE menus screen is not available when the Time Code Preset screen is displayed.
- The time code preset screen is displayed on the LCD screen or viewfinder. It will not be output from the VIDEO OUT terminal.

EXTERNAL DIMENSIONS (unit: mm)



* Design and specifications are subject to change without notice

